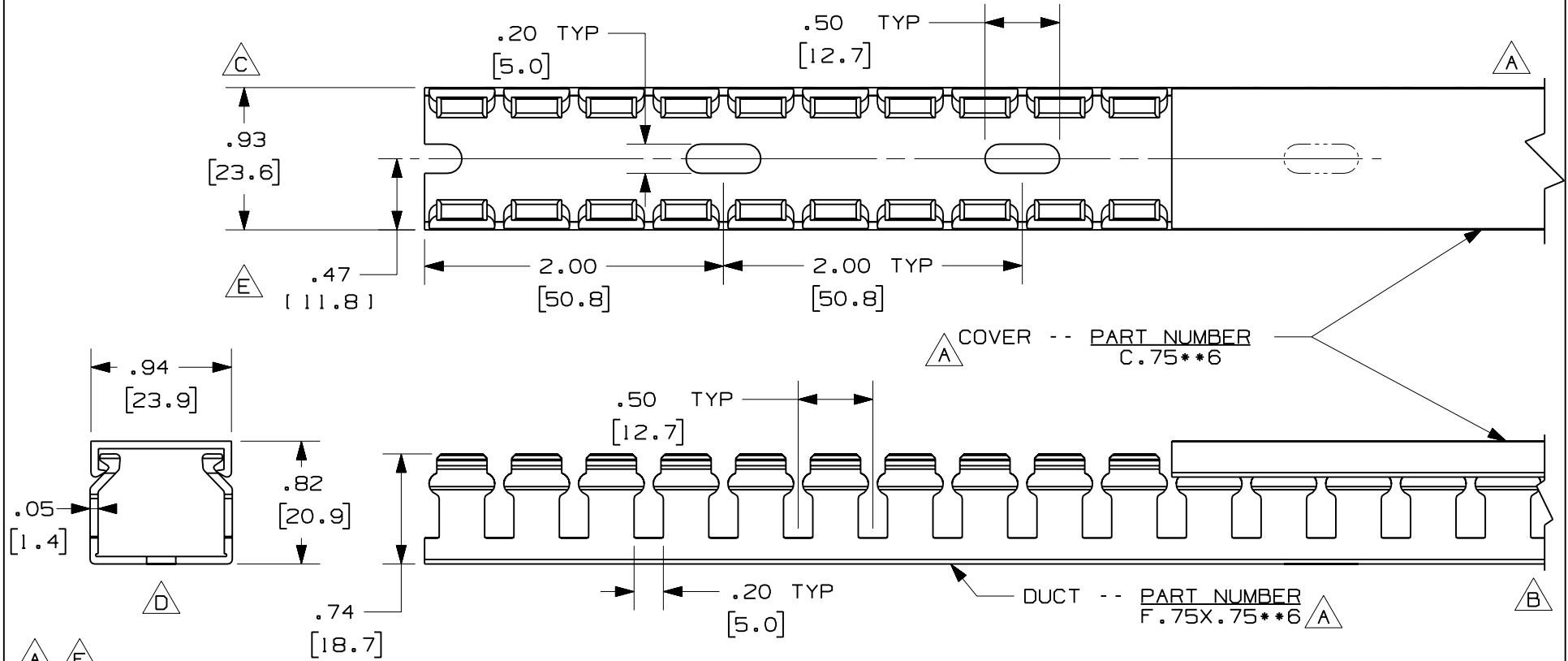


THIS COPY IS PROVIDED ON A RESTRICTED BASIS AND IS NOT TO BE USED IN ANY WAY DETRIMENTAL TO THE INTERESTS OF PANDUIT CORP.



**A** **F**

NOTE.

1. ALL DIMENSIONS ARE REFERENCE ONLY.
2. DIMENSIONS IN PARENTHESES ARE METRIC.
3. THE \*\* DENOTE COLOR.
4. DUCT AND COVER ARE AVAILABLE IN 6 FT [ 1828.8 ] LENGTH

CAD FILENAME/LAYERS D11000BV\_DC/OOC

**PANDUIT** CORP. TINLEY PARK, ILLINOIS

WIRING DUCT - TYPE F DUCT WITH COVER  
.75 X .75  
MARKETING DRAWING

| REV | DATE    | BY   | CHK | DESCRIPTION  |
|-----|---------|------|-----|--|
| 2   | 7/23/07 | JCST | MKB | F. ADDED LENGTH NOTE<br>E. CHANGED DIMENSION             |
| 1   | 5/27/04 | JCST | MKB | D. REMOVED DIMENSION<br>C. ADDED DIMENSION               |
| R   | 5/21/03 | JCST | JGG | B. CHANGED VIEW<br>A. ADDED TOP VIEW, LABELS, AND NOTES. |
|     |         |      |     | DRAWING RELEASED   |

|                  |                   |                            |                  |
|------------------|-------------------|----------------------------|------------------|
| DRAWN BY<br>JCST | MAT'L:<br><br>PVC | SCALE<br>FULL              |                  |
| DATE<br>5/21/03  |                   | DRAWING NO.<br>36897 - 759 | DWG<br>SIZE<br>A |
| CHK'D<br>JGG     |                   |                            |                  |